



April 2008

UltraLok Roof System Architectural Details

10.0 ARCHITECTURAL DETAILS INDEX

10.0 GENERAL DETAILS

Details Index	2
Fastener Section	3
Roof Panel Sections	4 – 8
Eave Section	9 - 11
Rake Section	12 - 14
Mansard Section	15
Transition Section	16 - 18
Ridge Section	19
Hip Section	20
Valley Section	21



UltraLok Roof System Architectural Details

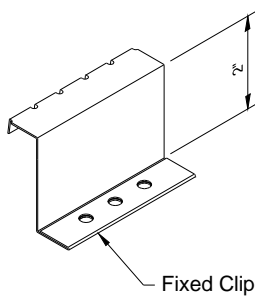
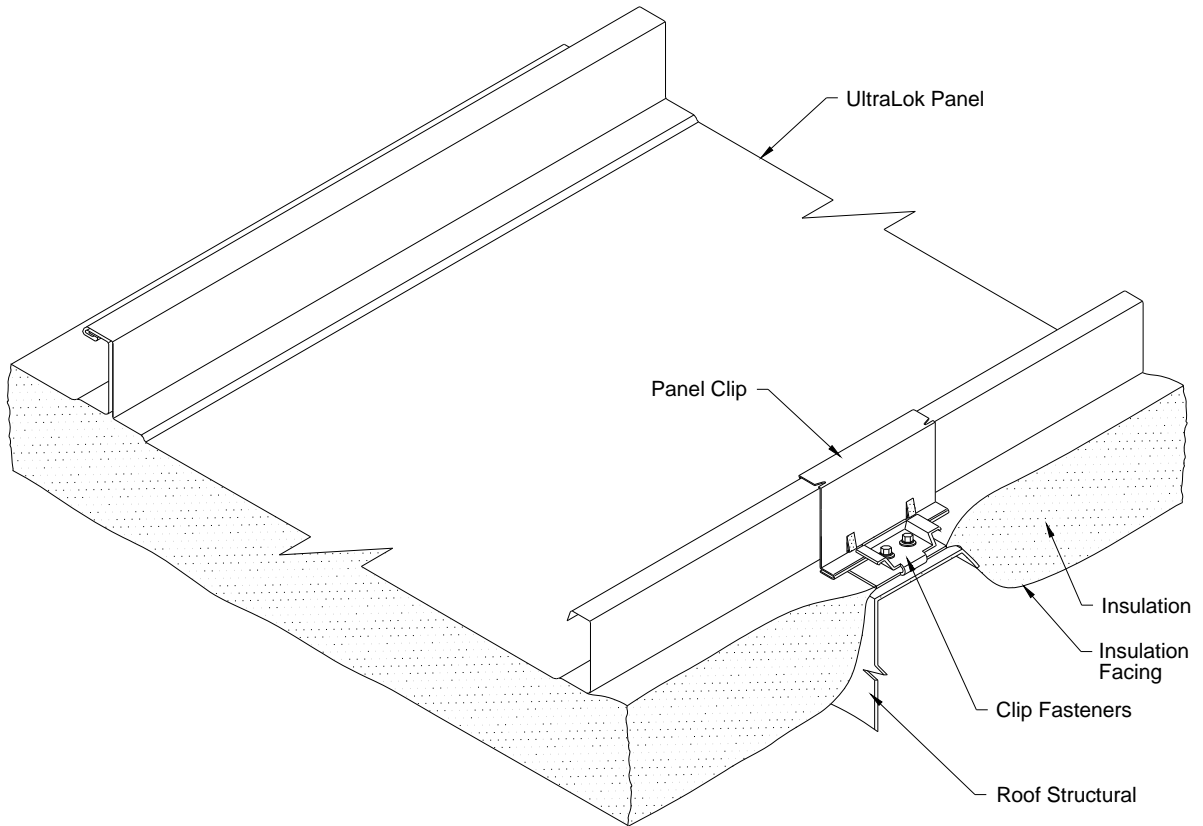
ROOF FASTENERS & SEALANTS TABLE

Pop Rivet	PR14	$\frac{1}{8}$ " x $\frac{3}{16}$ "
Clip Fastener	CF1	$\frac{1}{4}$ " - #14 x $1\frac{1}{4}$ " Self-Driller
Shoulder Fastener	SF1	$\frac{1}{4}$ " - #14 x $1\frac{1}{4}$ " w/ Shoulder
Roof Fastener	1E	#12-14 x $1\frac{1}{4}$ " ZAC Self-Driller
Lap Fastener	LT4	$\frac{1}{4}$ " - #14 x $\frac{7}{8}$ " ZAC Self-Driller
Double Bead Tape	DBT	$\frac{3}{16}$ " x $\frac{3}{4}$ " Tape Mastic
Triple Bead Tape	TBT	$\frac{5}{32}$ " x $1\frac{1}{4}$ " Tape Mastic
Urethane Tube Sealant	UTS	
Butyl Tube Sealant	BTS	

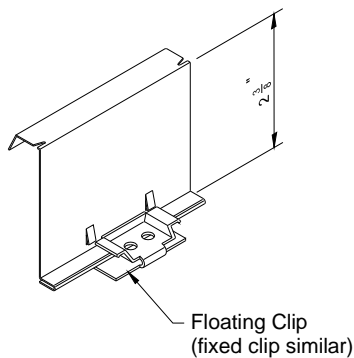
UltraLok Roof System Architectural Details

ROOF PANEL SECTION

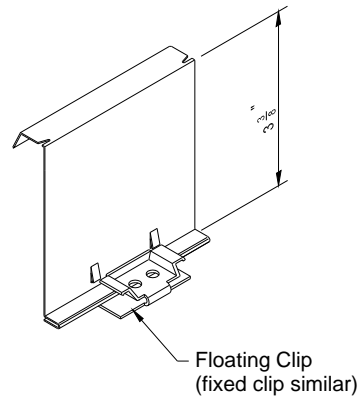
See Ep1 for Roof Fastener Type



For 0"
Fixed Roof Only



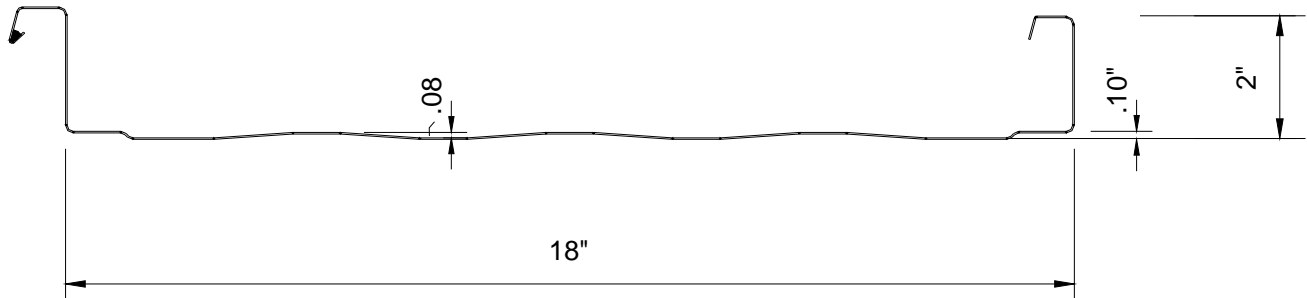
For 3/8" Stand-off
Fixed Or Floating Roof



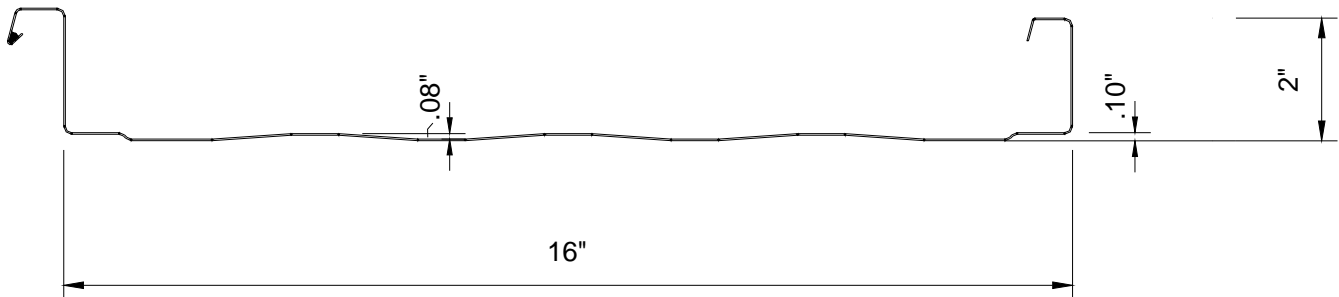
For 1 3/8" Stand-off
Fixed Or Floating Roof

UltraLok Roof System Architectural Details

ROOF PANEL SECTION



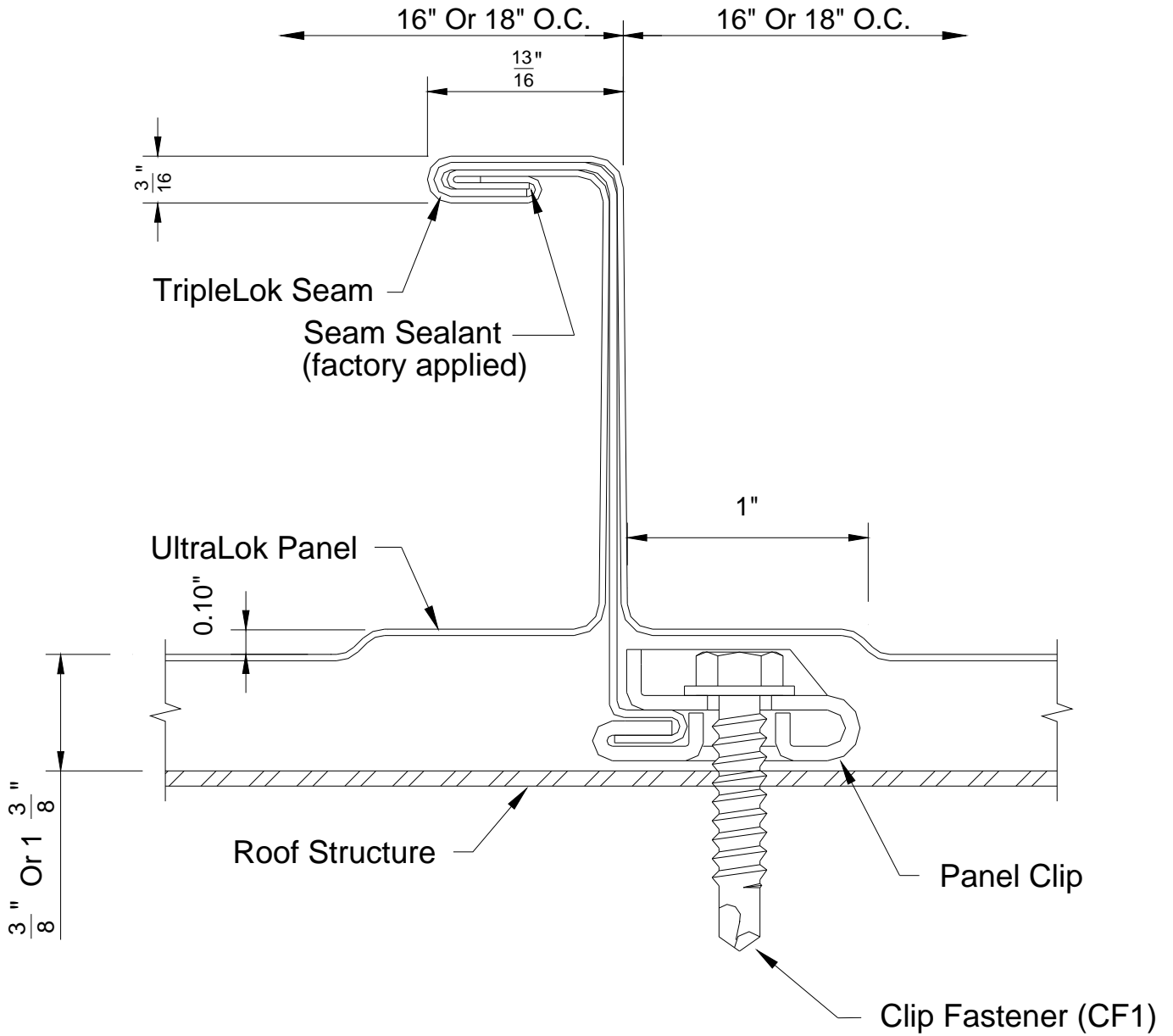
UL218 Roof Panel
With Striated Pan



UL216 Roof Panel
With Striated Pan

UltraLok Roof System Architectural Details

ROOF PANEL SECTION

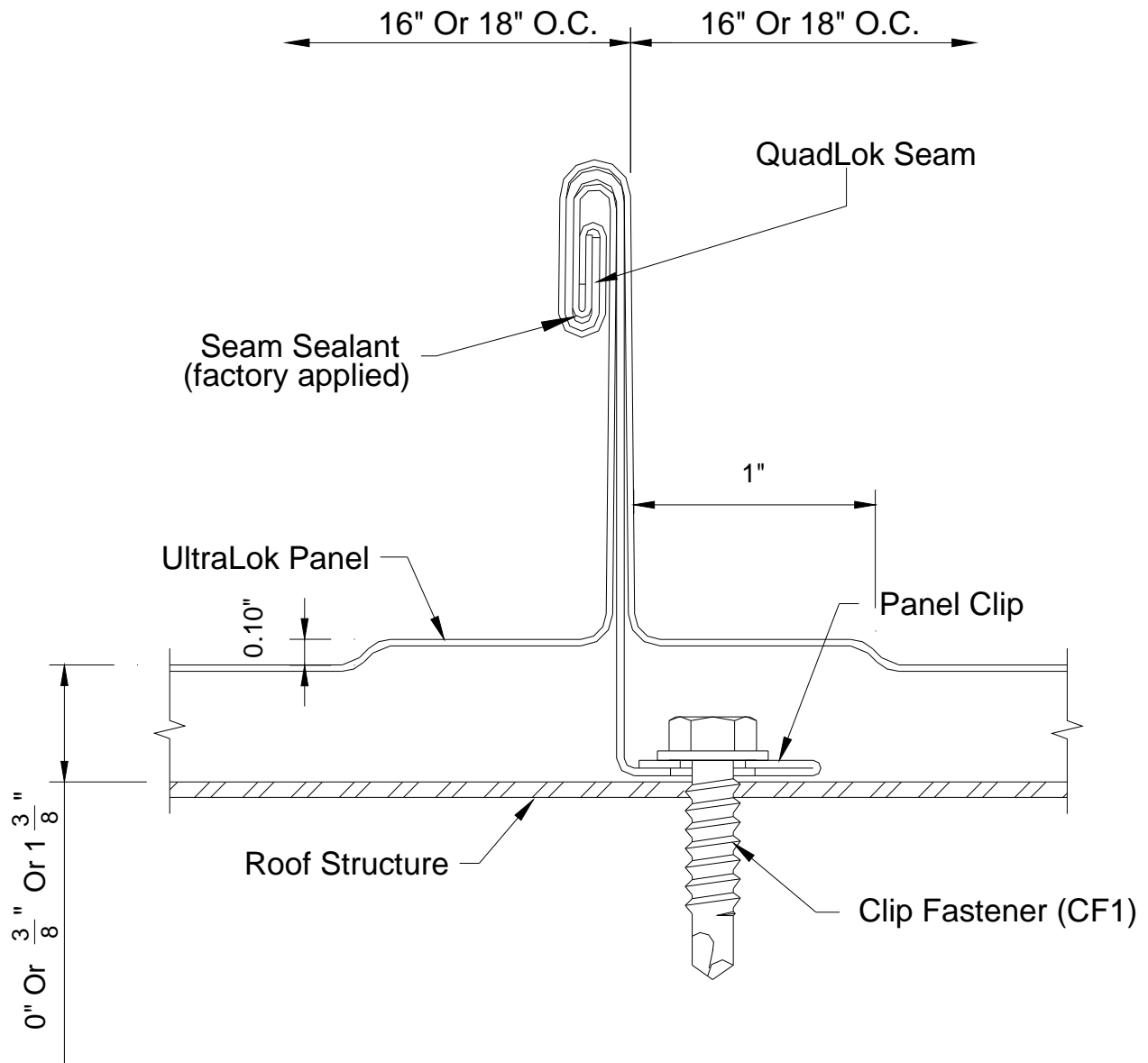


**TRIPLELOK SEAM
WITH FLOATING CLIP**

Page 6
Dwg: C906_704
Date: Apr 2008

UltraLok Roof System Architectural Details

ROOF PANEL SECTION

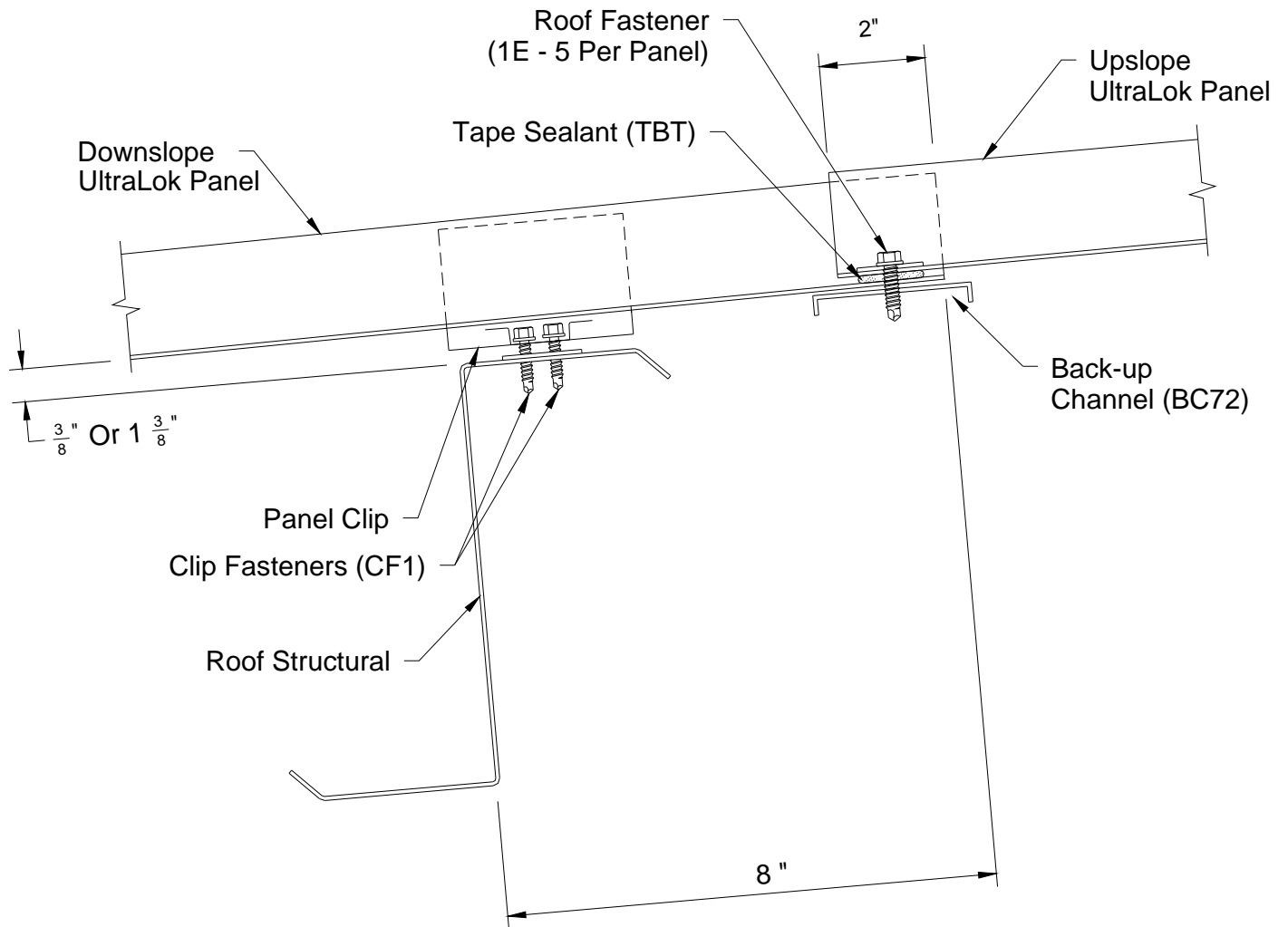


Seam Section
(Shown Full Size)

UltraLok Roof System Architectural Details

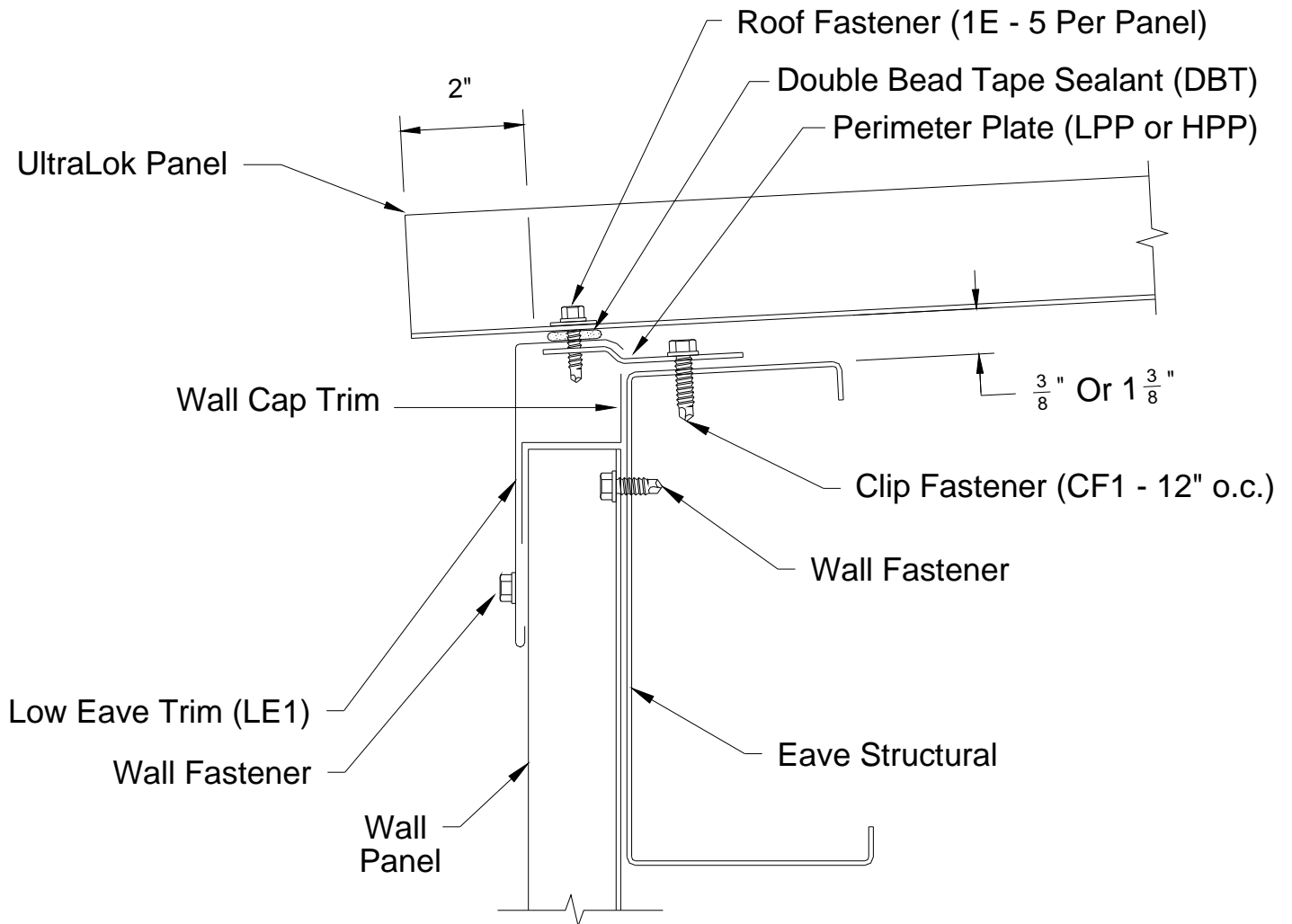
ROOF PANEL SECTION

See Ep1 for Roof Fastener Type



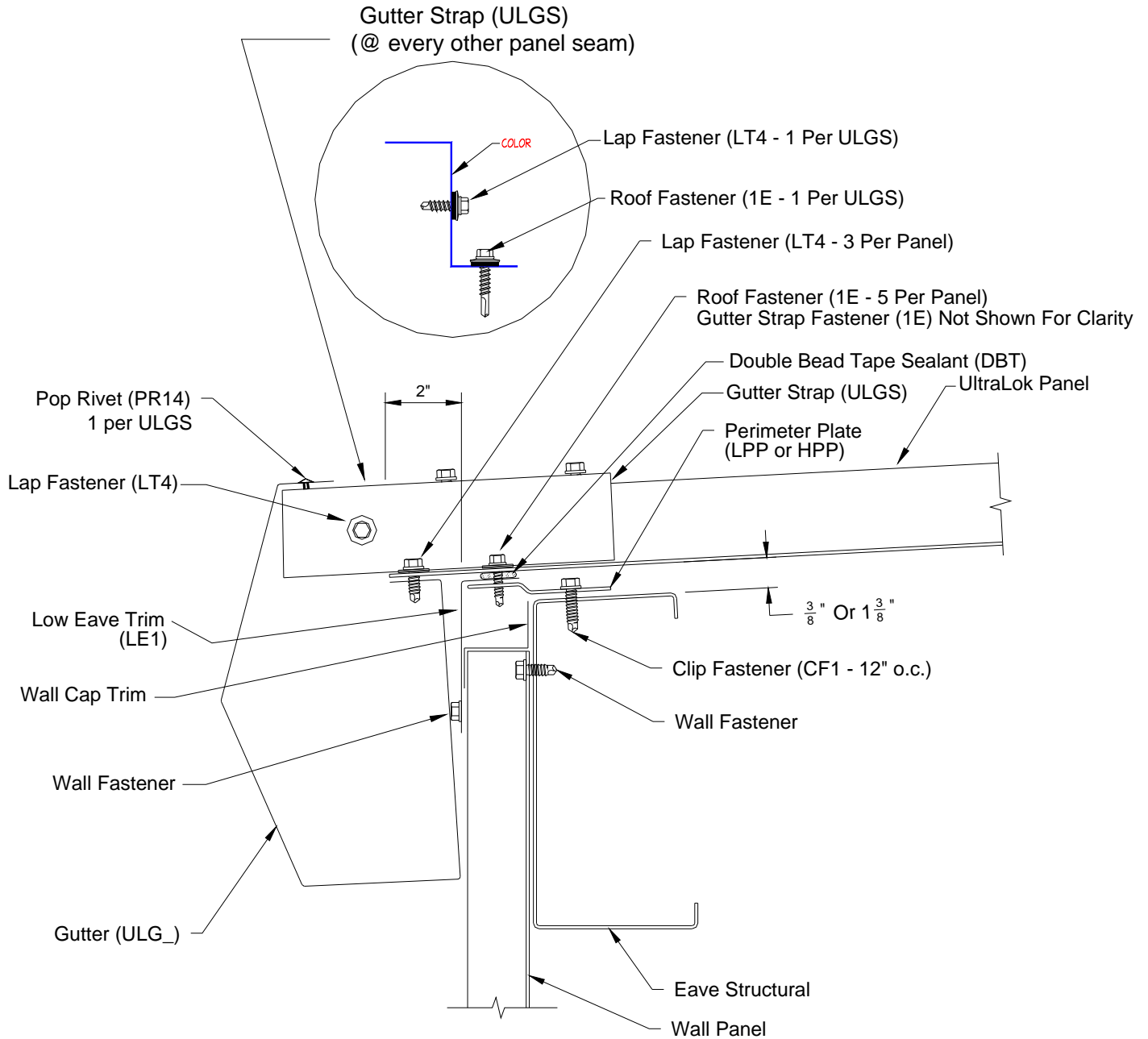
UltraLok Roof System Architectural Details

EAVE SECTION



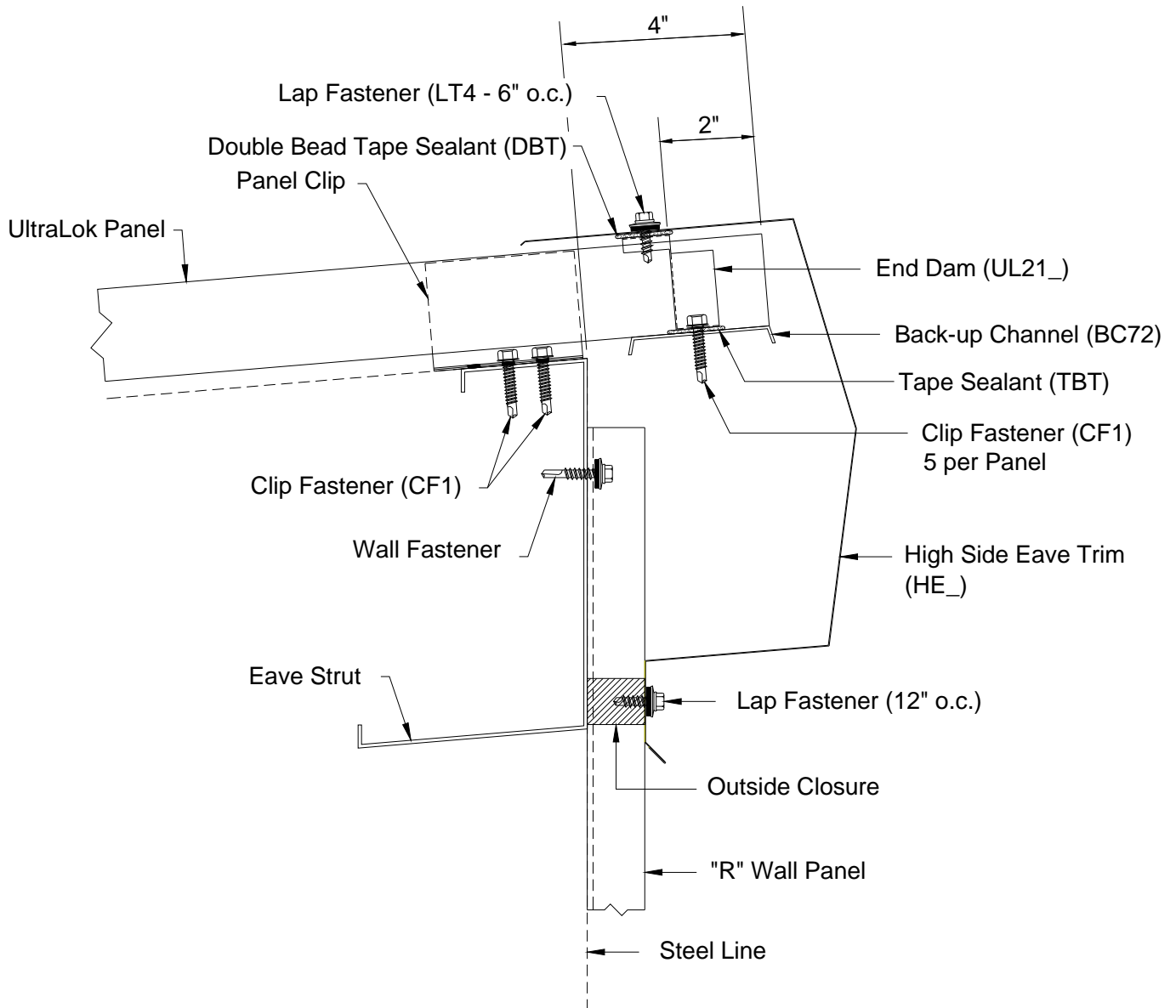
UltraLok Roof System Architectural Details

EAVE SECTION



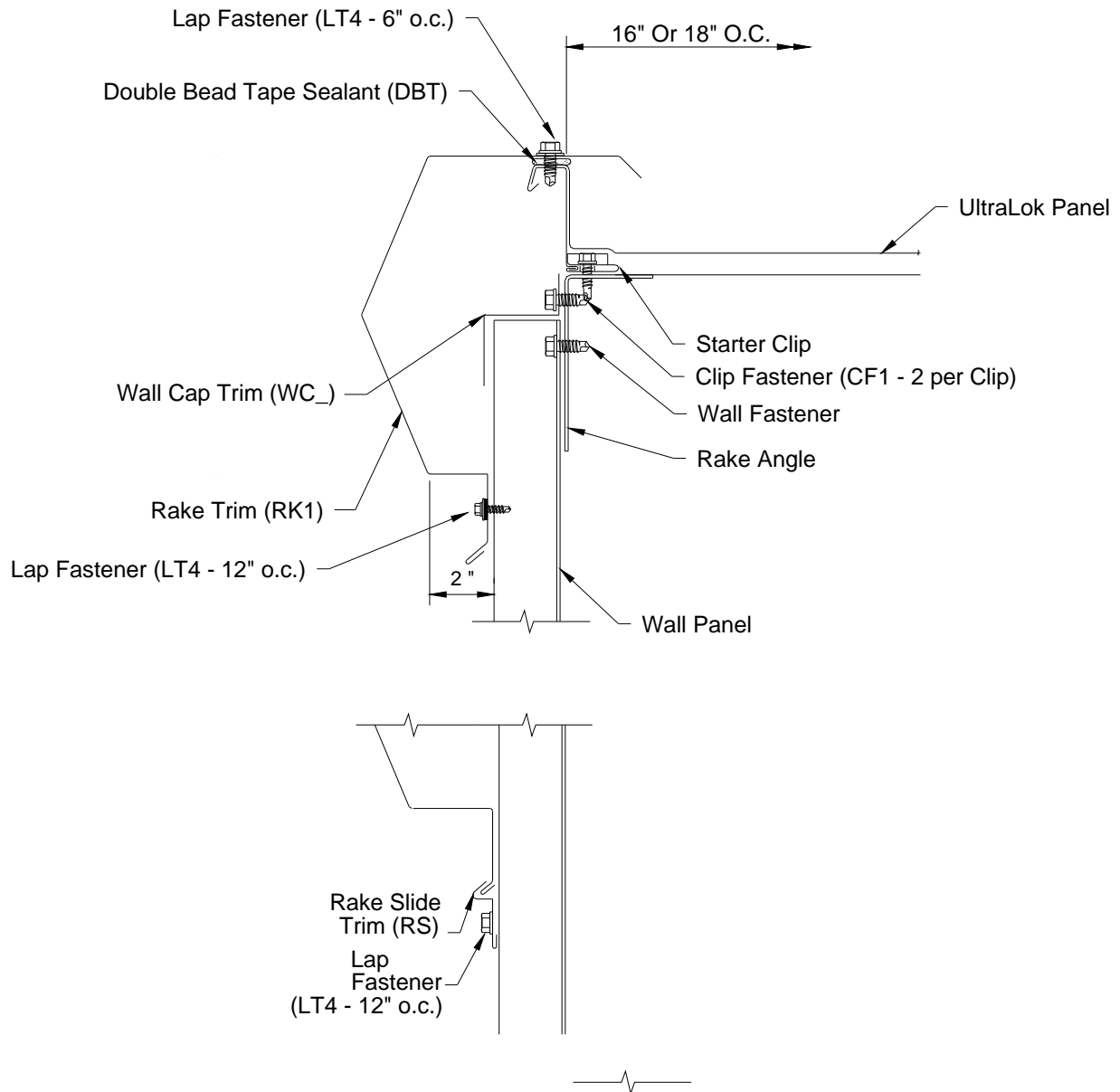
UltraLok Roof System Architectural Details

PREMIUM EAVE SECTION



UltraLok Roof System Architectural Details

RAKE SECTION



Alternate
Sliding Rake Trim
(Allows Expansion Movement Of Rake Trim,
Required When Roof Run Exceeds 50')

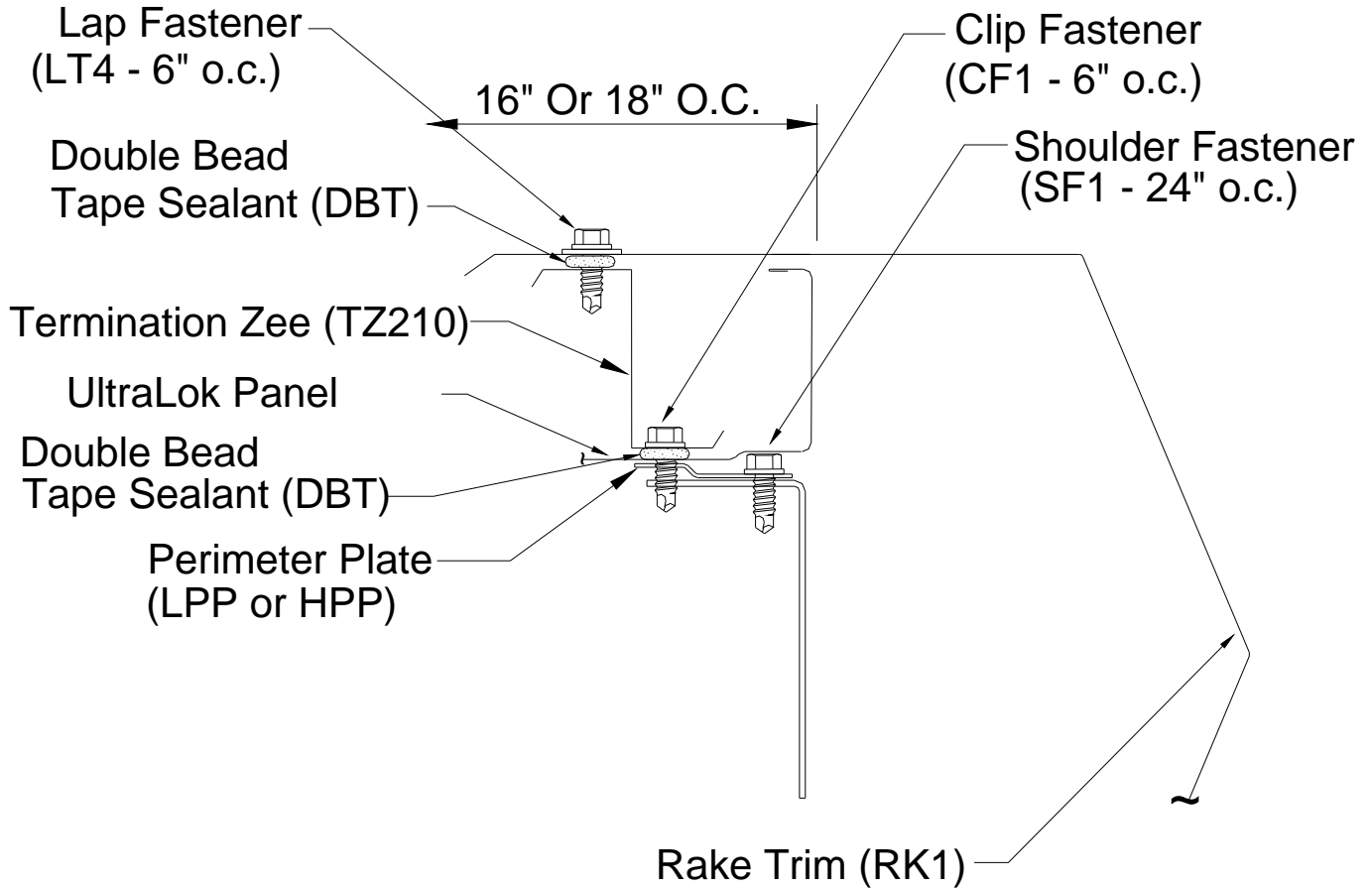


STARTING RAKE

Page 12
Dwg: C906_724
Date: Apr 2008

UltraLok Roof System Architectural Details

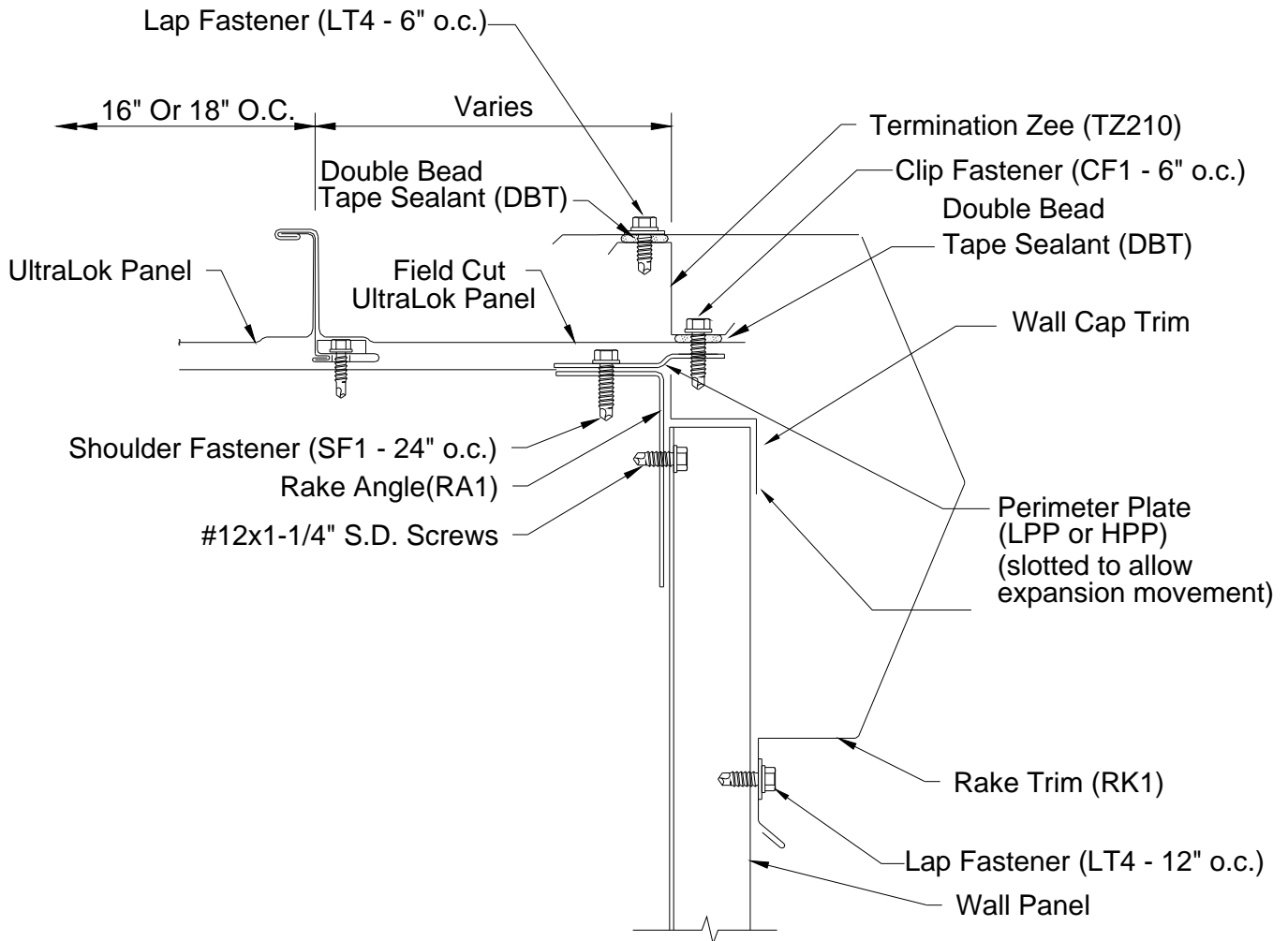
RAKE SECTION



On-Module Condition

UltraLok Roof System Architectural Details

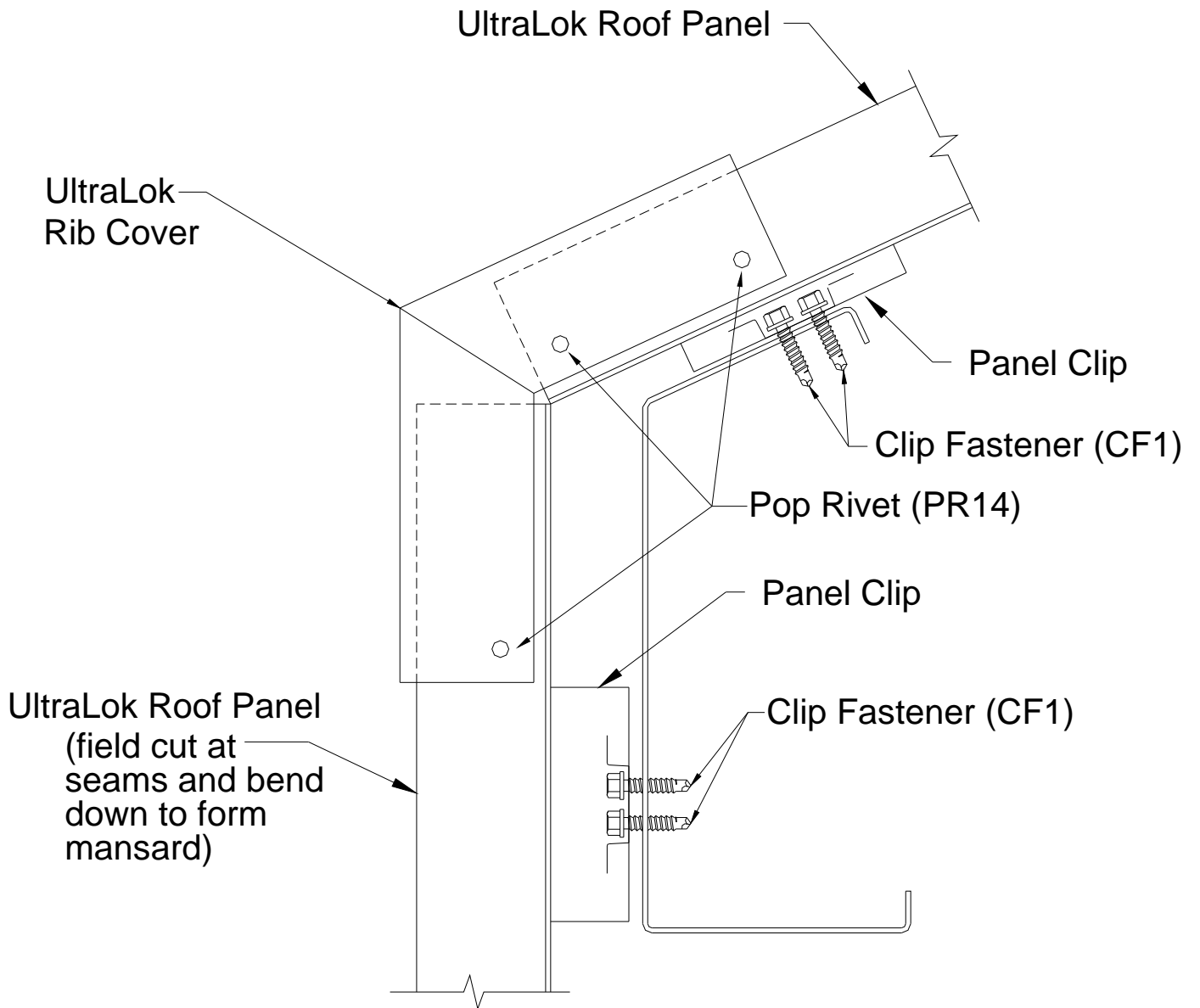
RAKE SECTION



Off-Module Condition

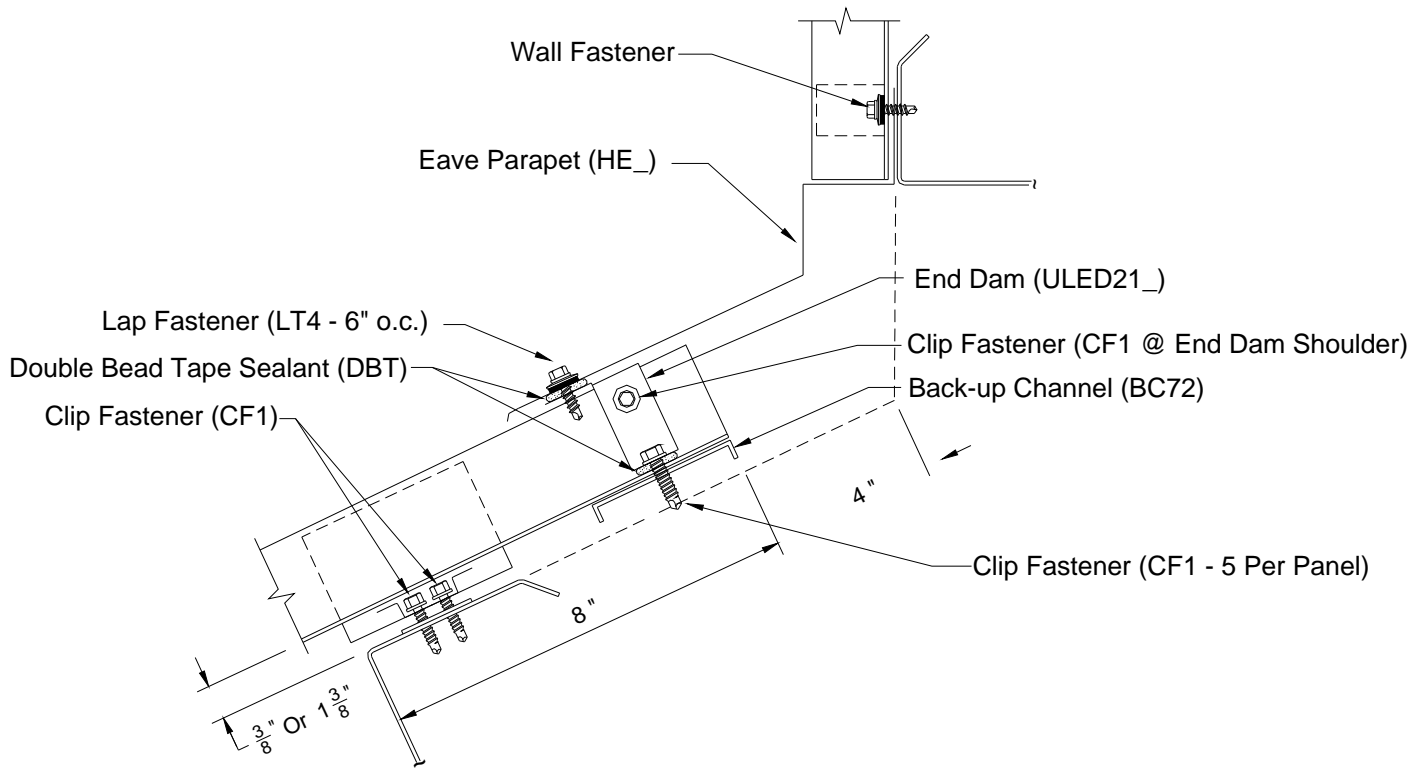
UltraLok Roof System Architectural Details

MANSARD SECTION



UltraLok Roof System Architectural Details

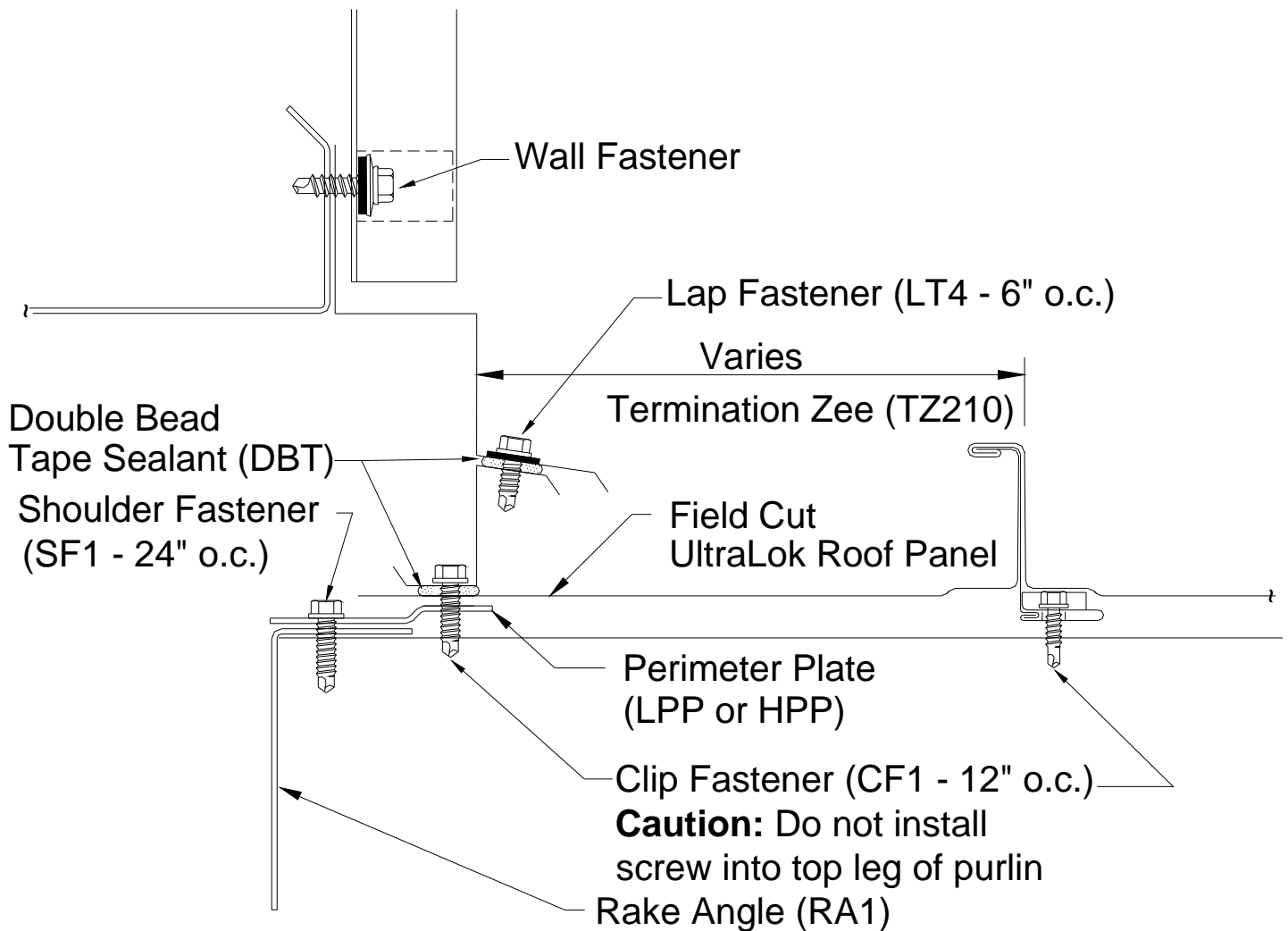
TRANSITION SECTION



With Metal Wall Panel

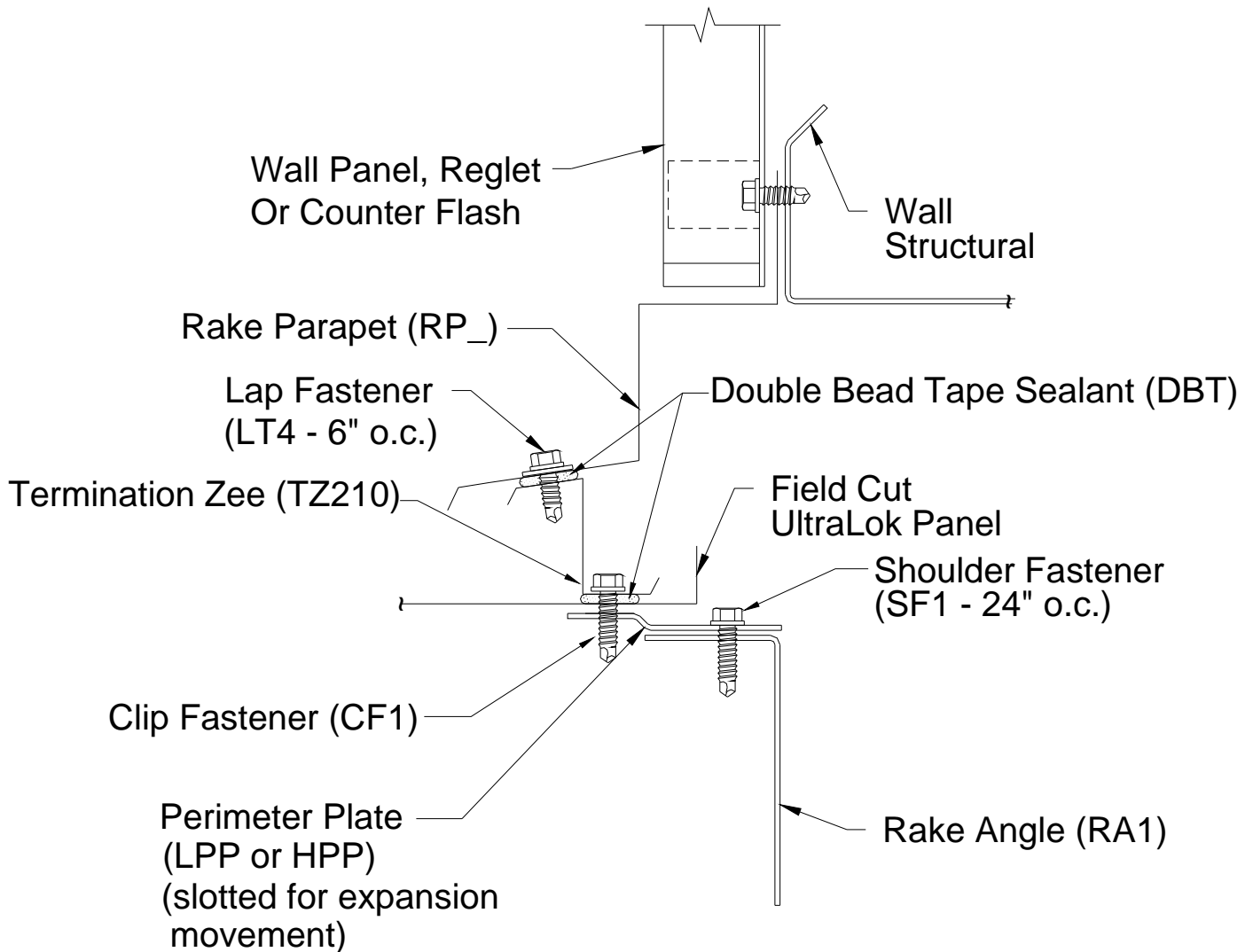
UltraLok Roof System Architectural Details

TRANSITION SECTION



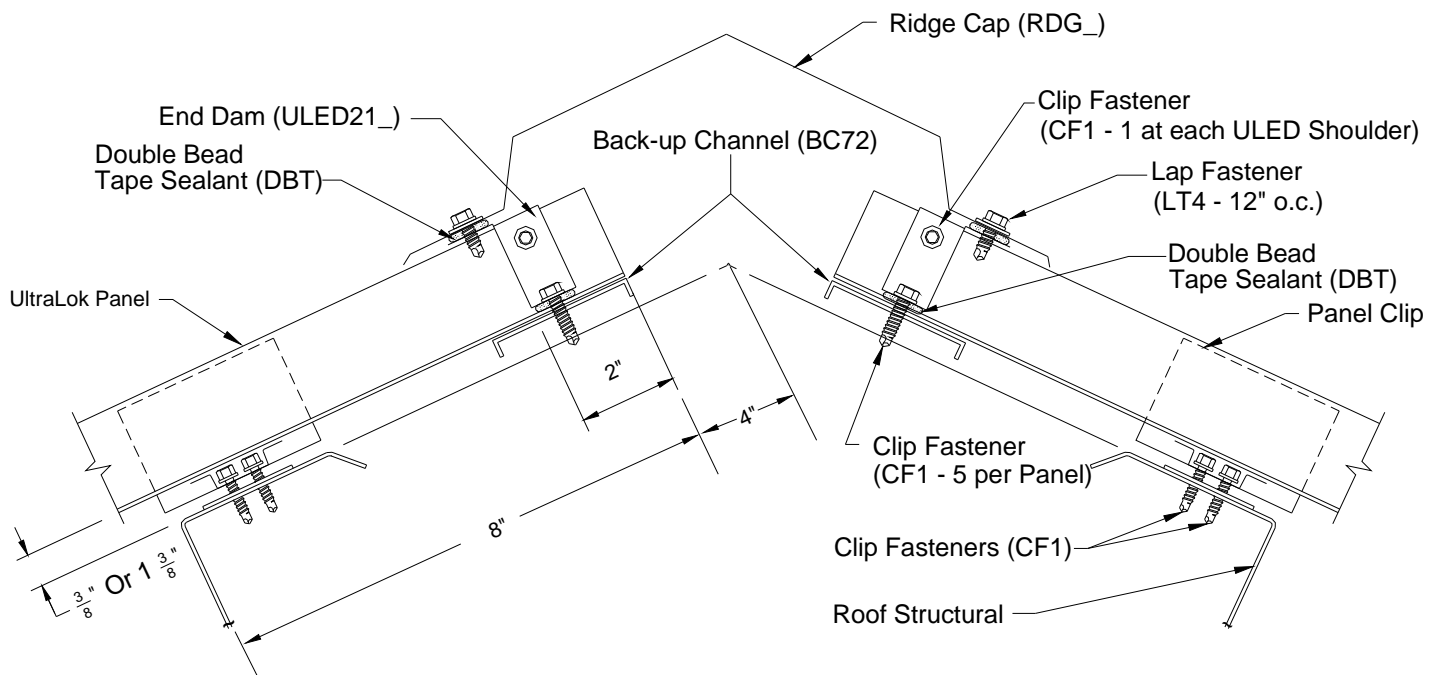
UltraLok Roof System Architectural Details

TRANSITION SECTION



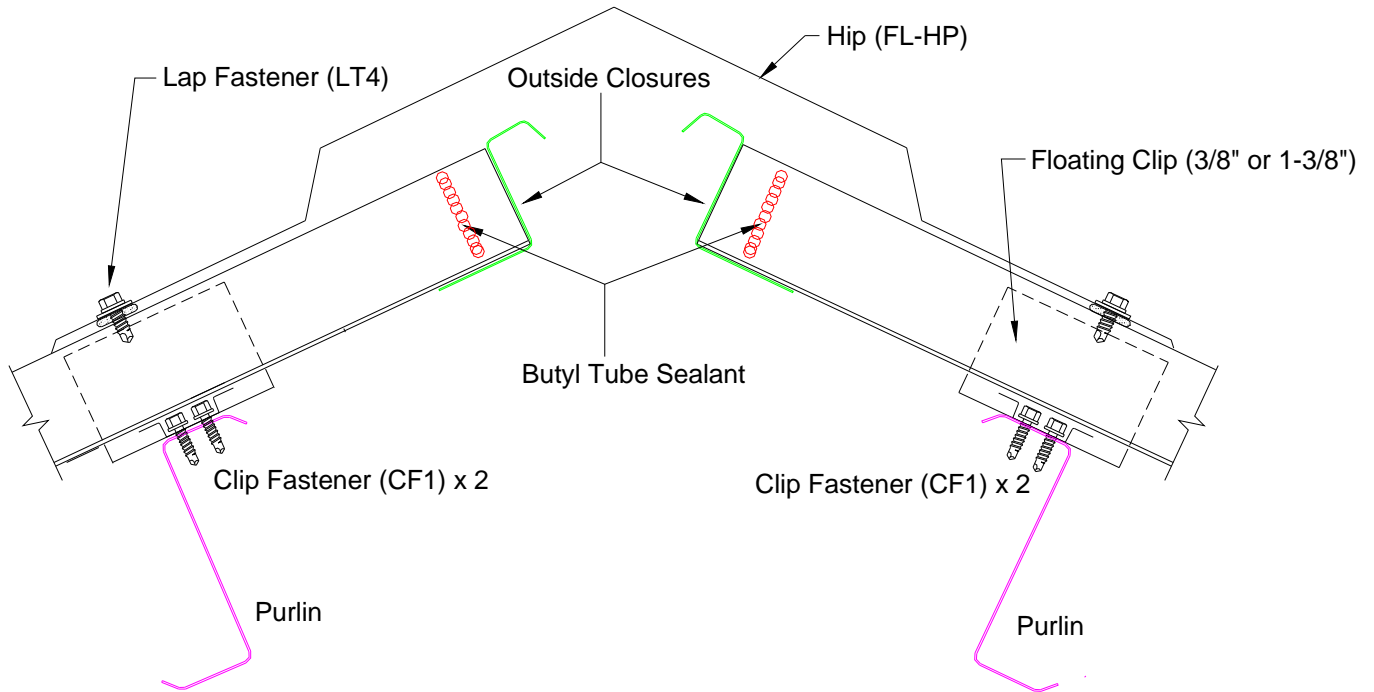
UltraLok Roof System Architectural Details

PREMIUM RIDGE SECTION



UltraLok Roof System Architectural Details

HIP SECTION



NOTE: Be certain to cut & splice closures to length and seal with butyl tube sealant